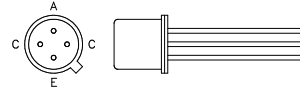


Optocoupler with Phototransistor Output

Description

The CNY18 consists of a phototransistor optically coupled to a gallium arsenide infrared emitting diode in a hermetically sealed 4 lead TO72 metal can package for high reliability requirements.



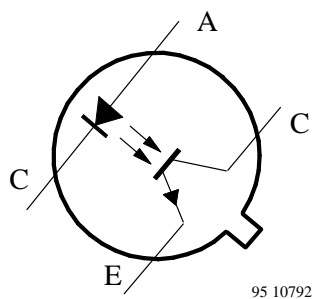
Applications

Galvanically separated circuits.

Features

- Hermetically sealed case
- DC isolation test voltage: 500 V
- Low coupling capacity
- Current Transfer Ratio, CTR selected in groups
- Low temperature coefficient of the CTR

Pin Connection



Absolute Maximum Ratings

Input (Emitter)

Parameters	Test Conditions	Symbol	Value	Unit
Reserve voltage		V_R	3	V
Forward current		I_F	60	mA
Forward surge current	$t_p \leq 10 \mu s$	I_{FSM}	1.5	A
Power dissipation	$T_{amb} \leq 25^\circ C$	P_V	100	mW
Junction temperature		T_j	125	$^\circ C$

Output (Detector)

Parameters	Test Conditions	Symbol	Value	Unit
Collector emitter voltage		V_{CEO}	32	V
Emitter collector voltage		V_{ECO}	5	V
Collector current		I_C	100	mA
Power dissipation	$T_{amb} \leq 25^\circ C$	P_V	150	mW
Junction temperature		T_j	125	$^\circ C$

Coupler

Parameters	Test Conditions	Symbol	Value	Unit
DC isolation test voltage		$V_{IO}^{1)}$	500	V
Total power dissipation	$T_{amb} \leq 25^\circ C$	P_{tot}	250	mW
Ambient temperature range		T_{amb}	-55 to +100	$^\circ C$
Storage temperature range		T_{stg}	-55 to +125	$^\circ C$
Soldering temperature	2 mm from case, $t \leq 10 s$	T_{sd}	260	$^\circ C$

¹⁾ related to standard climate 23/50 DIN 50 014

Electrical Characteristics

 $T_{amb} = 25^{\circ}\text{C}$

Input (Emitter)

Parameters	Test Conditions	Type	Symbol	Min.	Typ.	Max.	Unit
Forward voltage	$I_F = 60 \text{ mA}$		V_F		1.25	1.7	V
Reserve current	$V_R = 3 \text{ V}$		I_R		0.35	10	μA

Output (Detector)

Parameters	Test Conditions	Type	Symbol	Min.	Typ.	Max.	Unit
Collector emitter breakdown voltage	$I_C = 1 \text{ mA}$		$V_{(BR)CEO}$	32			V
Collector dark current	$V_{CE} = 10 \text{ V}$, $I_F = 0, E = 0$		I_{CEO}		2		nA
Collector emitter capacitance	$f = 1 \text{ MHz}$ $V_{CE} = 0$ $V_{CE} = 10 \text{ V}$ $V_{CE} = 30 \text{ V}$		C_{CEO}		7		pF
			C_{CEO}		3.5		pF
			C_{CEO}		2.5		pF

Coupler

Parameters	Test Conditions	Type	Symbol	Min.	Typ.	Max.	Unit
DC isolation test voltage	$t = 1 \text{ s}$		$V_{IO}^{1)}$	500			V
Isolation resistance	$V_{IO} = 500 \text{ V}$, 40% relative humidity		$R_{IO}^{1)}$	10^{10}			Ω
I_C/I_F	$V_{CE} = 5 \text{ V}$, $I_F = 10 \text{ mA}$	Group III IV V	CTR	0.25		0.50	
			CTR	0.40		0.80	
			CTR	0.60		1.2	
Collector emitter saturation voltage	$I_C = 1 \text{ mA}$, $I_F = 10 \text{ mA}$		V_{CEsat}			0.2	V
Cut-off frequency	$V_{CE} = 5 \text{ V}$, $I_F = 10 \text{ mA}$, $R_L = 100 \Omega$		f_c		170		kHz
Coupling capacitances	$f = 1 \text{ MHz}$						
A and C short-cctd.	E and C short-cctd. C (E earthed) E (C earthed)		C_k		1.4		pF
			C_k		1.1		pF
			C_k		0.1		pF

¹⁾ related to standard climate 23/50 DIN 50014

Switching Characteristics

$V_S = 5\text{ V}$

Type	$R_L = 100\ \Omega$, see figure 1							$R_L = 1\text{ k}\Omega$, see fig. 2		
	$t_d[\mu\text{s}]$	$t_r[\mu\text{s}]$	$t_{on}[\mu\text{s}]$	$t_s[\mu\text{s}]$	$t_f[\mu\text{s}]$	$t_{off}[\mu\text{s}]$	$I_C[\text{mA}]$	$t_{on}[\mu\text{s}]$	$t_{off}[\mu\text{s}]$	$I_F[\text{mA}]$
CNY18	2.6	2.4	5.0	0.3	2.7	30	5	11	13.5	20

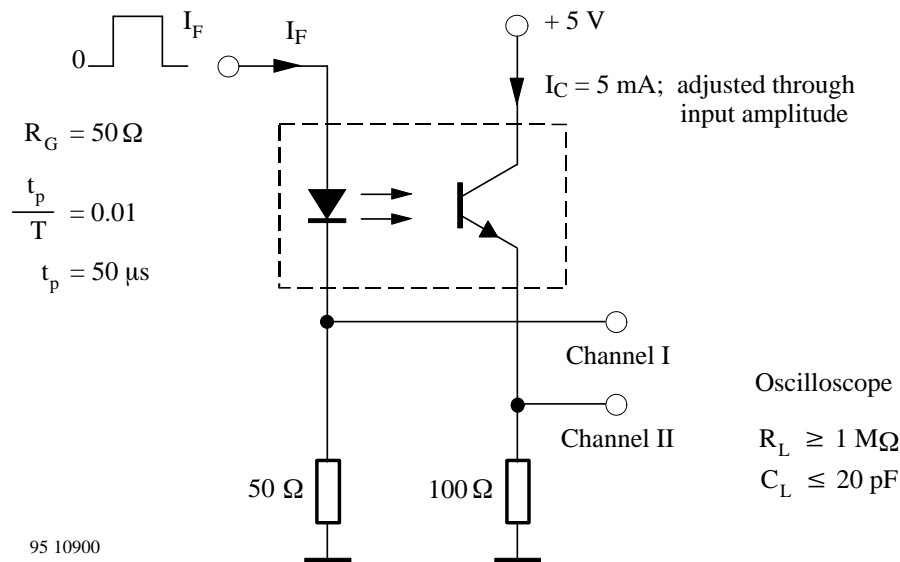


Figure 1. Test circuit, non-saturated operation

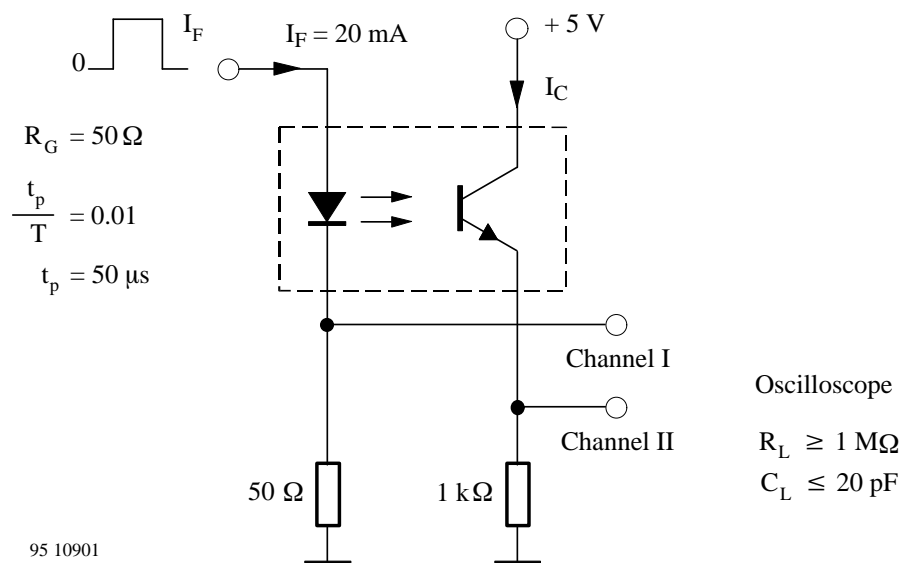


Figure 2. Test circuit, saturated operation

Ozone Depleting Substances Policy Statement

It is the policy of **TEMIC TELEFUNKEN microelectronic GmbH** to

1. Meet all present and future national and international statutory requirements.
2. Regularly and continuously improve the performance of our products, processes, distribution and operating systems with respect to their impact on the health and safety of our employees and the public, as well as their impact on the environment.

It is particular concern to control or eliminate releases of those substances into the atmosphere which are known as ozone depleting substances (ODSs).

The Montreal Protocol (1987) and its London Amendments (1990) intend to severely restrict the use of ODSs and forbid their use within the next ten years. Various national and international initiatives are pressing for an earlier ban on these substances.

TEMIC TELEFUNKEN microelectronic GmbH semiconductor division has been able to use its policy of continuous improvements to eliminate the use of ODSs listed in the following documents.

1. Annex A, B and list of transitional substances of the Montreal Protocol and the London Amendments respectively
2. Class I and II ozone depleting substances in the Clean Air Act Amendments of 1990 by the Environmental Protection Agency (EPA) in the USA
3. Council Decision 88/540/EEC and 91/690/EEC Annex A, B and C (transitional substances) respectively.

TEMIC can certify that our semiconductors are not manufactured with ozone depleting substances and do not contain such substances.

We reserve the right to make changes to improve technical design and may do so without further notice.

Parameters can vary in different applications. All operating parameters must be validated for each customer application by the customer. Should the buyer use TEMIC products for any unintended or unauthorized application, the buyer shall indemnify TEMIC against all claims, costs, damages, and expenses, arising out of, directly or indirectly, any claim of personal damage, injury or death associated with such unintended or unauthorized use.

TEMIC TELEFUNKEN microelectronic GmbH, P.O.B. 3535, D-74025 Heilbronn, Germany
Telephone: 49 (0)7131 67 2831, Fax number: 49 (0)7131 67 2423