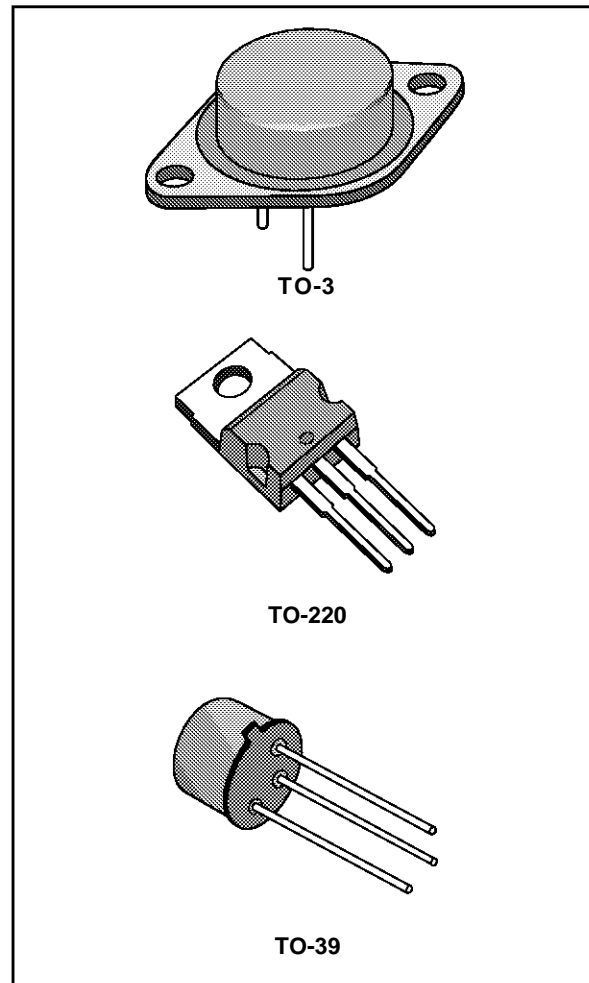


THREE-TERMINAL ADJUSTABLE NEGATIVE VOLTAGE REGULATORS

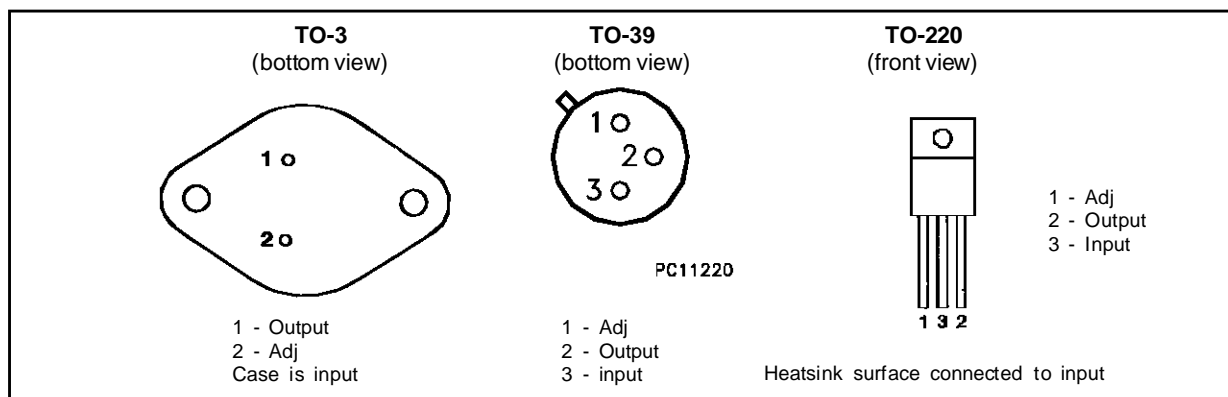
- OUTPUT VOLTAGE ADJUSTABLE DOWN TO V_{ref}
- 1.5A GUARANTEED OUTPUT CURRENT
- 0.3%/V TYPICAL LOAD REGULATION
- 0.01%/V TYPICAL LINE REGULATION
- CURRENT LIMIT CONSTANT WITH TEMPERATURE
- RIPPLE REJECTION : 77dB
- STANDARD 3-LEAD TRANSISTOR PACKAGES
- EXCELLENT THERMAL REGULATION: 0.002%/V
- 50ppm/°C TEMPERATURE COEFFICIENT

DESCRIPTION

The LM137 series are adjustable 3-terminal negative voltage regulators capable of supplying in excess- 1.5A over a - 1.2 to - 37V output voltage range. They are exceptionally easy to use and require only two external resistors to set the output voltage. Further, both line and load regulation are better than standard fixed regulators. Also, LM137 regulators are supplied in standard transistor packages which are easily mounted and handled. In addition to higher performance than fixed regulators, the LM137 series offer full overload protection available only in integrated circuits. Included on the chip are current limit, thermal overload protection and safe area protection. All overload protection circuitry remains fully functional even if the adjustment terminal is disconnected.



PIN CONNECTIONS



LM137-LM237-LM337

ABSOLUTE MAXIMUM RATING

| Symbol | Parameter | Value | Unit |
|-------------|-----------------------------------|-------------------------|-------------|
| $V_I - V_O$ | Input Output Voltage Differential | 40 | V |
| I_O | Output Current | TO-220/TO-3 TO-39 | A |
| T_{oper} | | LM137 LM237 LM337 | $^{\circ}C$ |
| T_{stg} | | -65 to 150 | $^{\circ}C$ |
| P_{tot} | | Internally Limited | W |

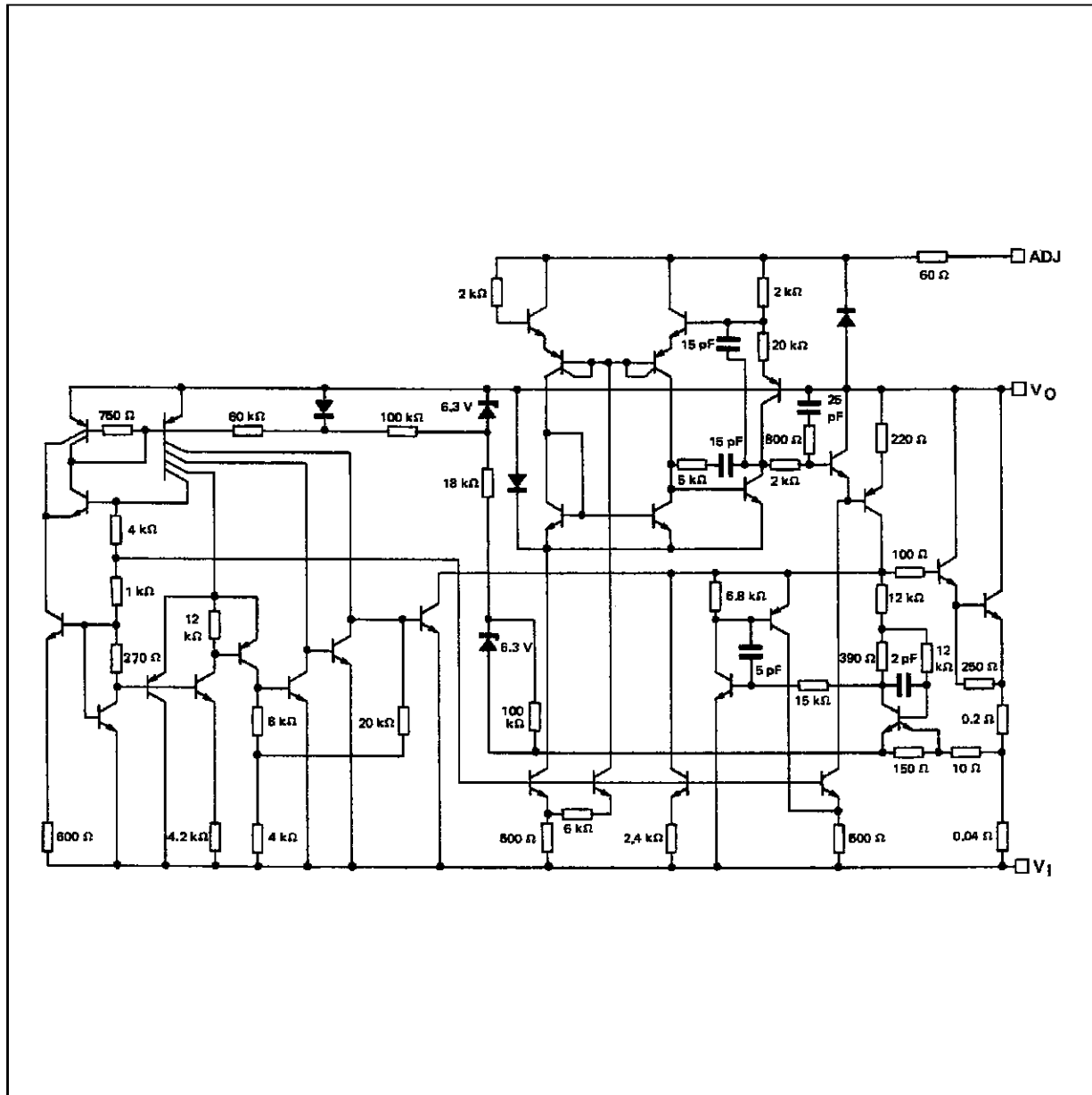
THERMAL CHARACTERISTICS

| Symbol | Parameter | Typ. | Max. | Unit |
|----------------|-------------------------------------|-------------------------|-----------------|---------------|
| $R_{thj-case}$ | Junction-case Thermal Resistance | TO-3 TO-220 TO-39 | 4 3 15 | $^{\circ}C/W$ |
| $R_{thj-amb}$ | Junction-ambient Thermal Resistance | TO-3 TO-220 TO-39 | 35 70 160 | $^{\circ}C/W$ |

ORDER CODES

| PART NUMBER | TEMPERATURE RANGE | PACKAGE | | |
|-------------|------------------------|---------|---------|--------|
| | | TO-3 | TO-220 | TO-39 |
| LM137 | -55 to 150 $^{\circ}C$ | LM137K | | LM137H |
| LM237 | -25 to 150 $^{\circ}C$ | LM237K | LM237SP | LM237H |
| LM337 | 0 to 125 $^{\circ}C$ | LM337K | LM337SP | LM337H |

SCHEMATIC DIAGRAM



LM137-LM237-LM337

ELECTRICAL CHARACTERISTICS

LM137: $-55\text{ }^{\circ}\text{C} < T_j < 150\text{ }^{\circ}\text{C}$

LM237: $-25\text{ }^{\circ}\text{C} < T_j < 150\text{ }^{\circ}\text{C}$

LM337: $0\text{ }^{\circ}\text{C} < T_j < 150\text{ }^{\circ}\text{C}$

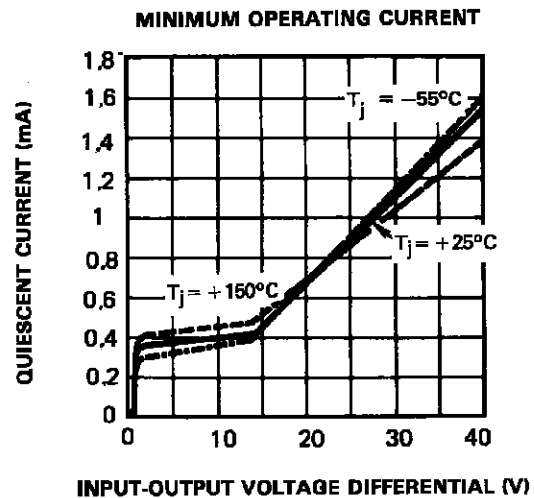
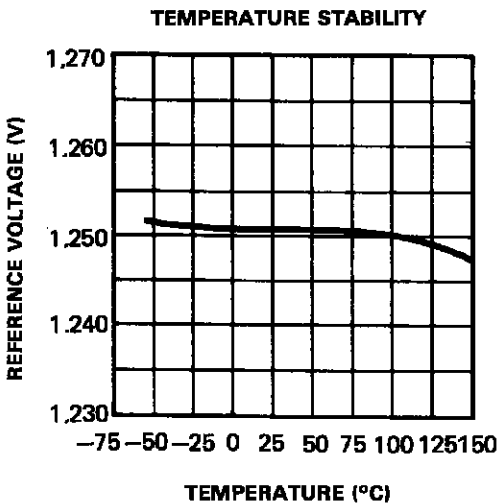
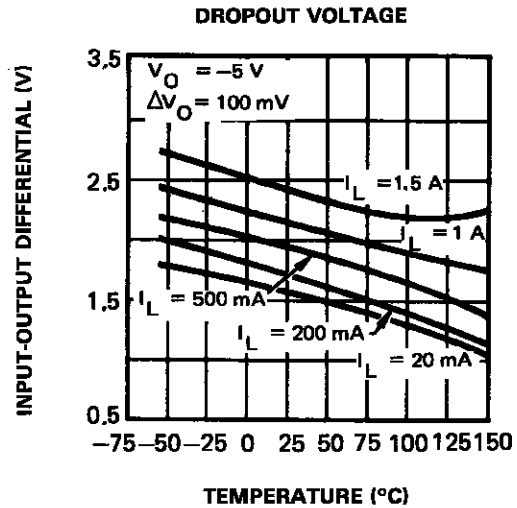
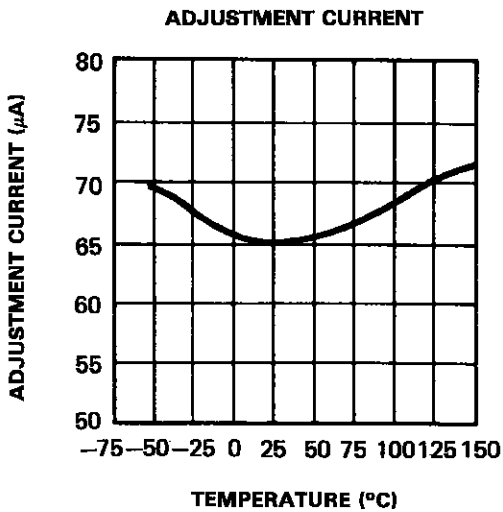
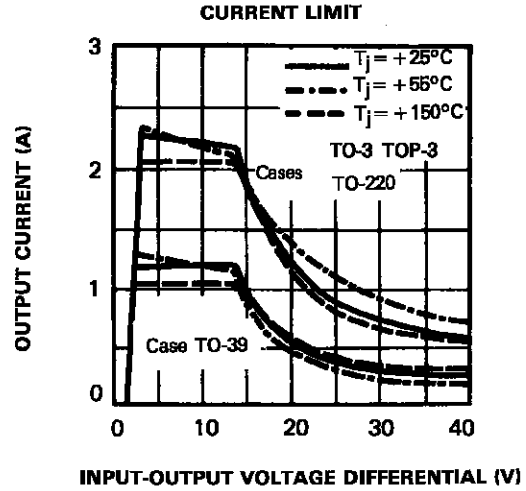
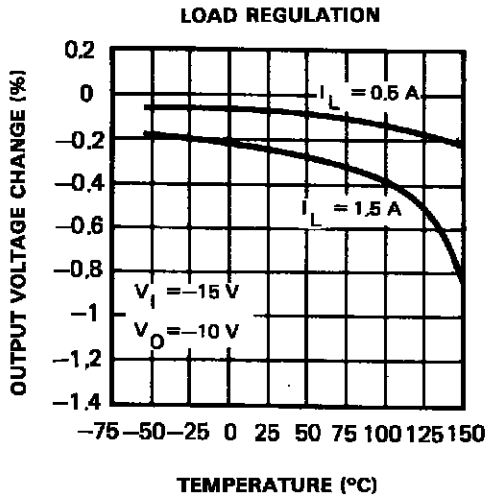
$V_I - V_O = 5\text{V}$, $I_O = 0.5\text{ A}$ (unless otherwise specified)

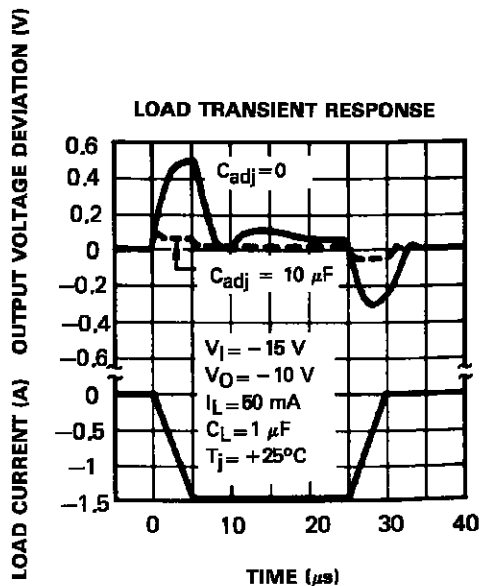
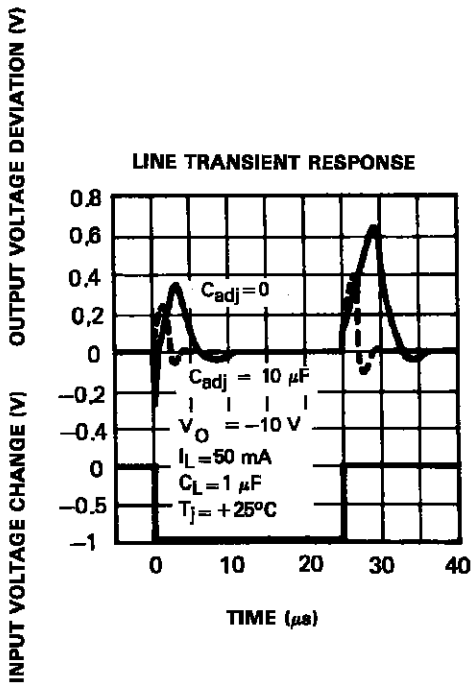
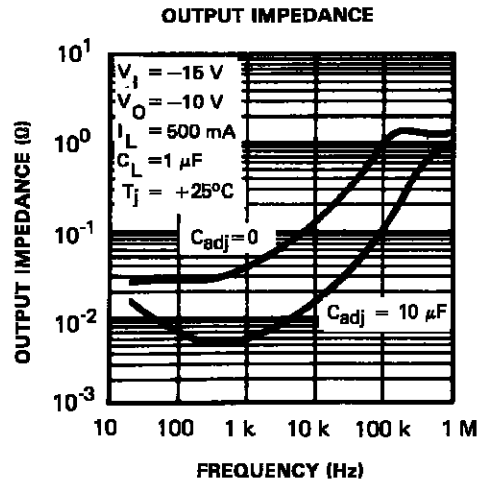
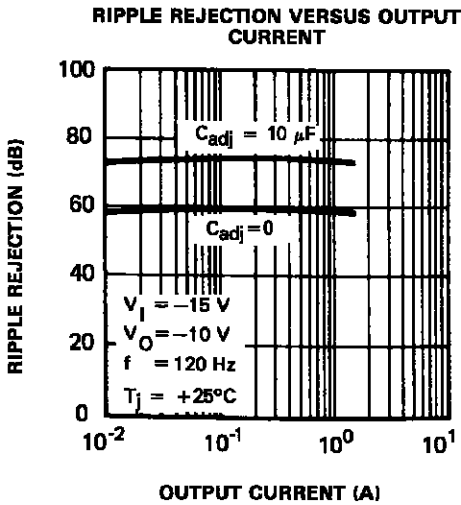
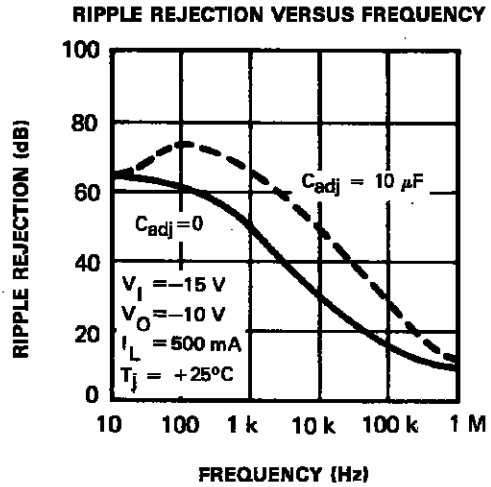
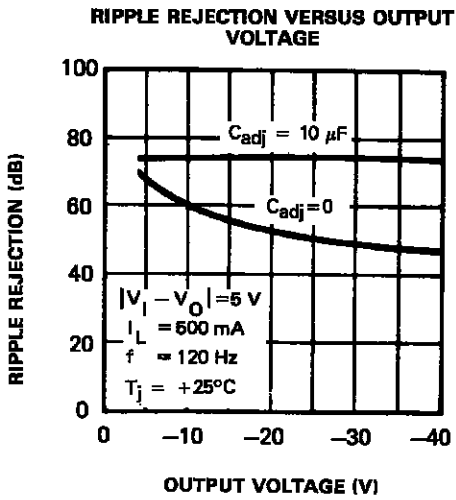
| Symbol | Parameter | LM137/LM237 | | | LM337 | | | Unit |
|------------------|--|----------------------------|--------------|--------------|---------------------------|--------------|--------------|------------------|
| | | Min. | Typ. | Max. | Min. | Typ. | Max. | |
| V_{ref} | Reference Voltage $T_{amb} = 25\text{ }^{\circ}\text{C}$ $T_{min} \leq T_j \leq T_{max}$ $3\text{V} \leq V_I - V_O \leq 40\text{V}$, $10\text{mA} \leq I_O \leq I_{O(max)} $ $P \leq P_{max}$ | -1.225 | -1.25 | -1.275 | -1.213 | -1.25 | -1.287 | V |
| K_{VI} | Line Regulation ($T_{amb} = 25\text{ }^{\circ}\text{C}$, $3\text{V} \leq V_I - V_O \leq 40\text{V}$) - Note 2 $I_O = 0.1\text{ A}$ $I_O = 20\text{ mA}$ | | 0.01 0.01 | 0.02 0.02 | | 0.01 0.01 | 0.04 0.04 | %/V %/V |
| K_{VO} | Load Regulation ($T_{amb} = 25\text{ }^{\circ}\text{C}$, $10\text{mA} \leq I_O \leq I_{O(max)} $) - Note 2 $ V_O \leq 5\text{V}$ $ V_O \geq 5\text{V}$ | | 15 0.3 | 25 0.5 | | 15 0.3 | 50 1 | mV % |
| | Thermal Regulation ($T_{amb} = 25\text{ }^{\circ}\text{C}$, pulse 10 ms) | | 0.002 | 0.02 | | 0.003 | 0.04 | %/W |
| I_{adj} | Adjustment Pin Current | | 65 | 100 | | 65 | 100 | μA |
| ΔI_{adj} | Adjustment Pin Current Change ($T_{amb} = 25\text{ }^{\circ}\text{C}$, $10\text{mA} \leq I_O \leq I_{O(max)} $, $3\text{V} \leq V_I - V_O \leq 40\text{V}$) | | 2 | 5 | | 2 | 5 | μA |
| K_{VI} | Line Regulation ($3\text{V} \leq V_I - V_O \leq 40\text{V}$) - Note 2 | | 0.02 | 0.05 | | 0.02 | 0.07 | %/V |
| K_{VO} | Load Regulation ($10\text{mA} \leq I_O \leq I_{O(max)} $) - Note 2 $ V_O \leq 5\text{V}$ $ V_O \geq 5\text{V}$ | | 20 0.3 | 50 1 | | 20 0.3 | 70 1.5 | mV % |
| $ I_{O(min)} $ | Minimum Load Current $ V_I - V_O \leq 40\text{V}$ $ V_I - V_O \leq 10\text{V}$ | | 2.5 1.2 | 5 3 | | 2.5 1.5 | 10 6 | mA mA |
| I_{OS} | Short Circuit Output Current $ V_I - V_O \leq 15\text{V}$ (TO-3 and TO-220) $ V_I - V_O \leq 15\text{V}$ (TO-39) $ V_I - V_O = 40\text{V}$, $T_j = 25\text{ }^{\circ}\text{C}$ (TO-3 and TO-220) $ V_I - V_O = 40\text{V}$, $T_j = 25\text{ }^{\circ}\text{C}$ (TO-39) | 1.5 0.5 0.24 0.15 | 2.2 | | 1.5 0.5 0.15 0.1 | 2.2 | | A A A A |
| V_{NO} | RMS Output Noise (% of V_O) $T_{amb} = 25\text{ }^{\circ}\text{C}$, $10\text{Hz} \leq f \leq 10\text{KHz}$ | | 0.003 | | | 0.003 | | % |
| R_{vf} | Ripple Rejection Ratio $V_O = -10\text{ V}$, $f = 120\text{ Hz}$ $C_{adj} = 10\text{ }\mu\text{F}$ | 66 | 60 77 | | 66 | 60 77 | | dB dB |
| K_{VT} | Temperature Stability | | 0.6 | | | 0.6 | | % |
| K_{VH} | Long Term Stability ($T_{amb} = 125\text{ }^{\circ}\text{C}$, 1000H) | | 0.3 | 1 | | 0.3 | 1 | % |

Notes : 1. Although power dissipation is internally limited, these specifications are applicable for power dissipation of :

- 2W for TO-39
- 15W for TO-220
- 20W for TO-3 Package
- $I_{O(max)}$ is :
 - 1.5A for TO-3 and TO-220
 - 0.5A for TO-39

2. Regulation is measured at constant junction temperature, using pulse testing with a low duty cycle. Changes in output voltage due to heating effects are covered under the specification for thermal regulation.





THERMAL REGULATION

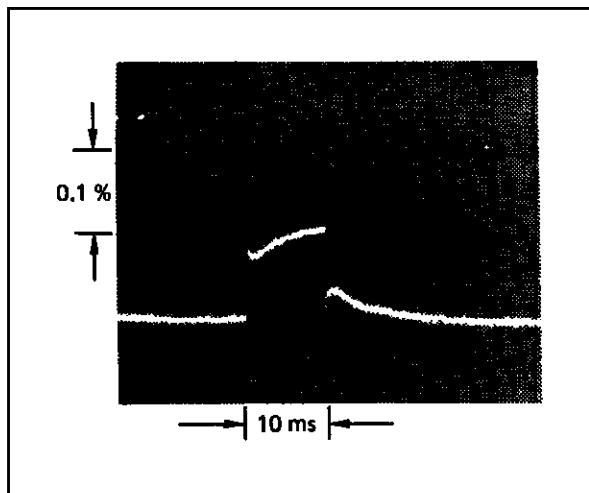
When power is dissipated in an IC, a temperature gradient occurs across the IC chip affecting the individual IC circuit components. With an IC regulator, this gradient can be especially severe since power dissipation is large.

Thermal regulation is the effect of these temperature gradients on output voltage (in percentage output change) per watt of power change in a specified time. Thermal regulation error is independent of electrical regulation or temperature coefficient, and occurs within 5ms to 50ms after a change in power dissipation. Thermal regulation depends on IC layout as well as electrical design. The thermal regulation of a voltage regulator is defined as the percentage change of V_O , per watt, within the first 10ms after a step of power, is applied.

The LM137 specification is 0.02 %/W max. In figure 1, a typical LM337's output drifts only 3mV for 0.03% of $V_O = -10V$ when a 10W pulse is applied for 10ms. This performance is thus well inside the specification limit of $0.02\%/W \times 10W = 0.2\%$ max. When the 10W pulse is ended the thermal regulation again shows a 3mV step as the LM137 chip cools off. Note that the load regulation error of about 8mV (0.08%) is additional to the thermal regulation error.

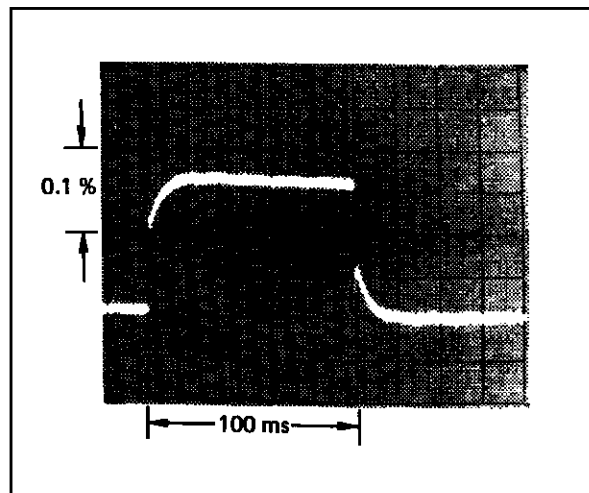
In figure 2, when the 10W pulse is applied for 100ms, the output drifts only slightly beyond the drift in the first 10ms and the thermal error stays well within 0.1% (10mV).

Figure 1.



LM 337, $V_O = -10V$
 $V_I - V_O = -40V$
 $I_L = 0A \rightarrow 0.25A \rightarrow 0A$
 Vertical sensitivity 5mV/div.

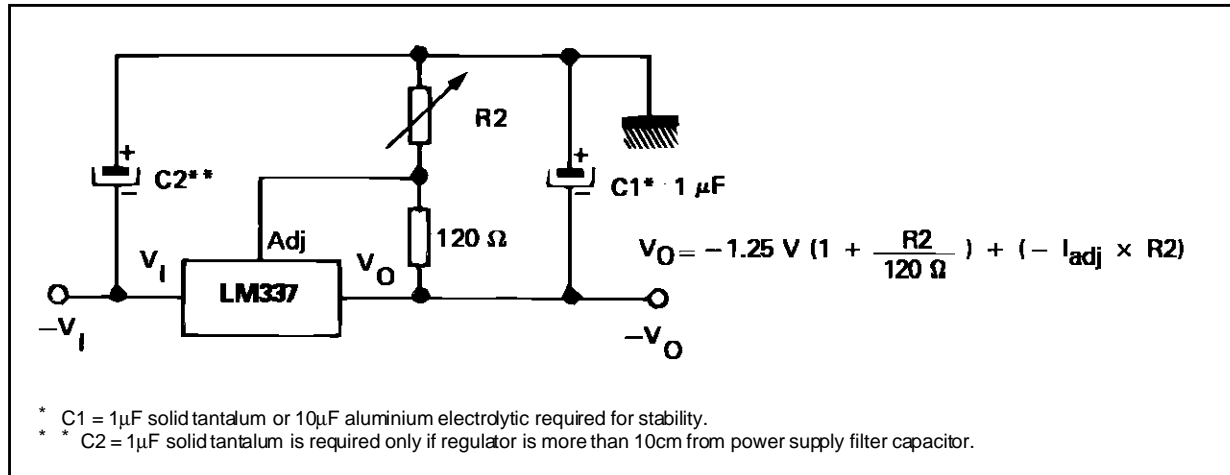
Figure 2.



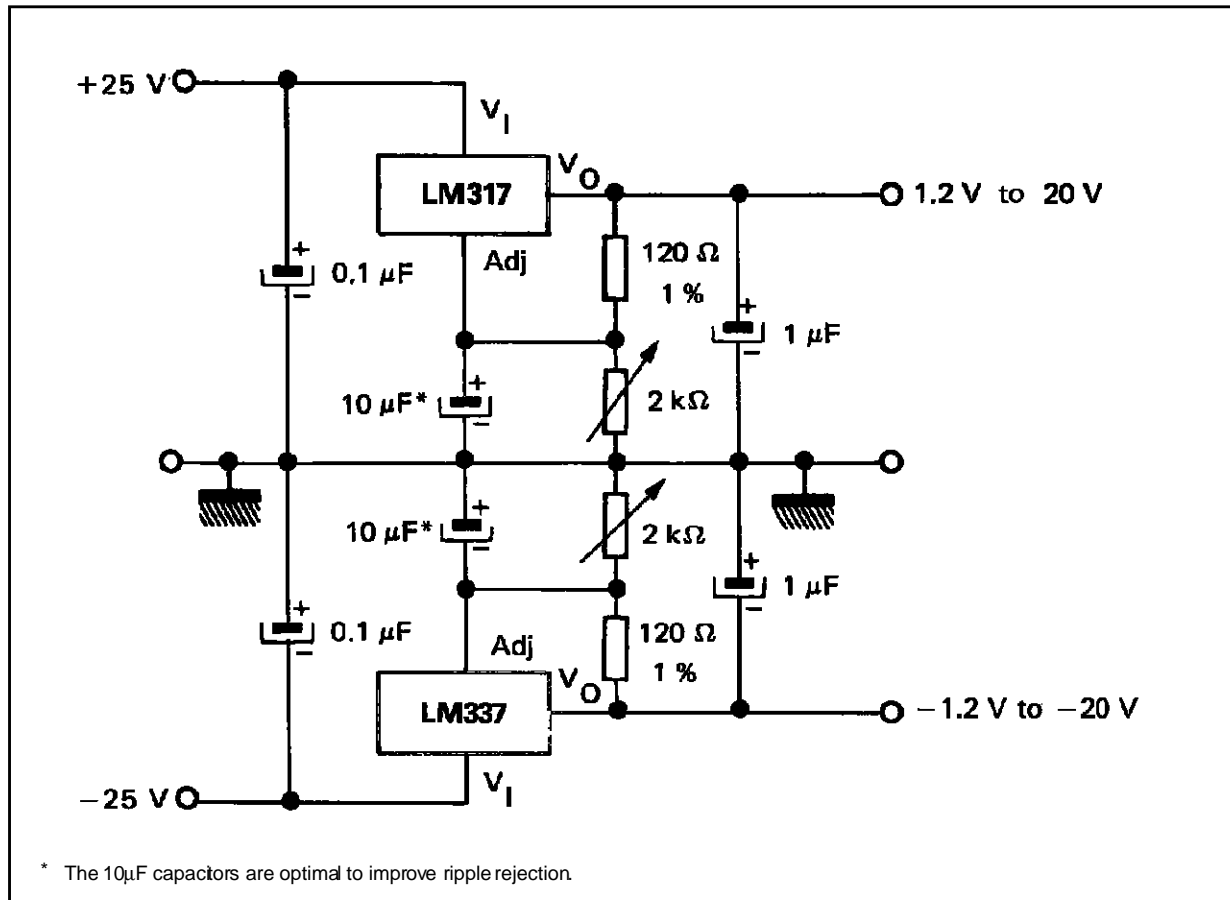
LM 337, $V_O = -10V$
 $V_I - V_O = -40V$
 $I_L = 0A \rightarrow 0.25A \rightarrow 0A$
 Horizontal sensitivity 20msN/div.

TYPICAL APPLICATIONS

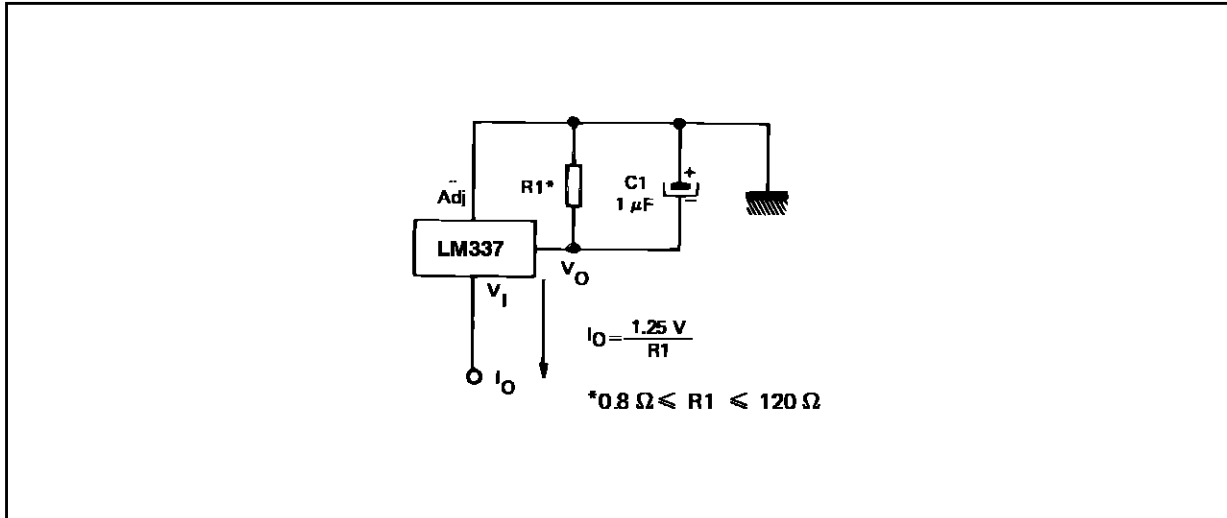
ADJUSTABLE NEGATIVE VOLTAGE REGULATOR



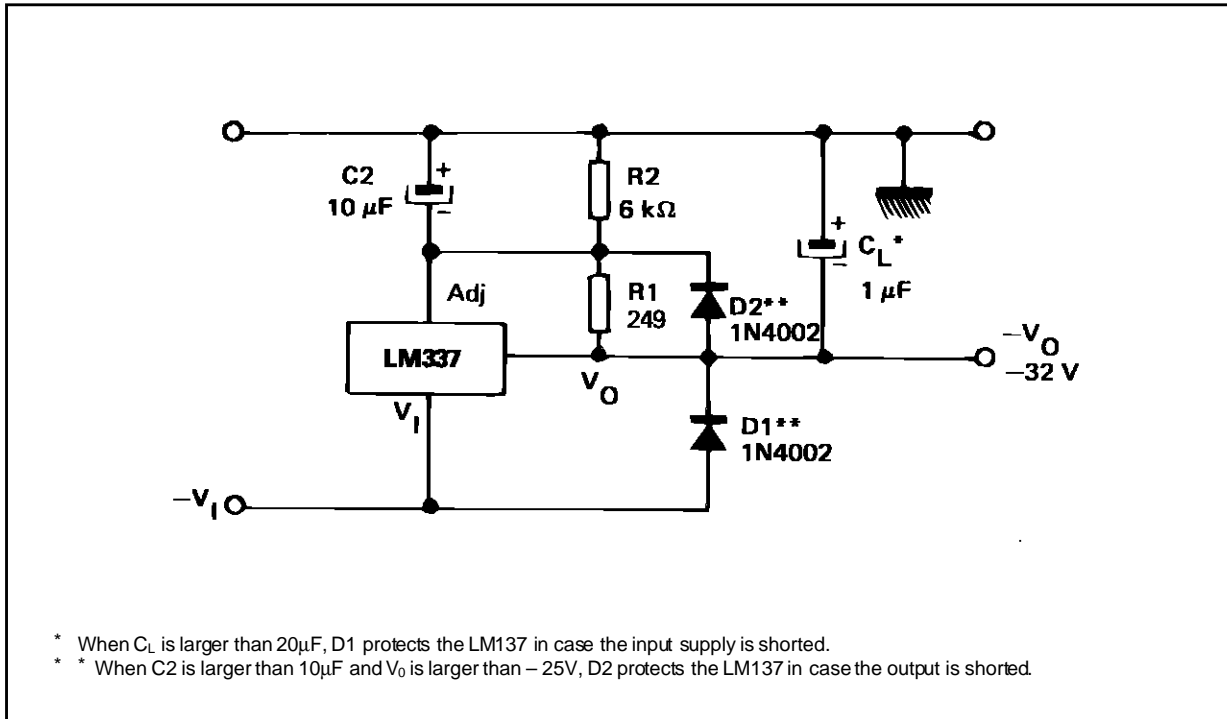
ADJUSTABLE LAB VOLTAGE REGULATOR



CURRENT REGULATOR



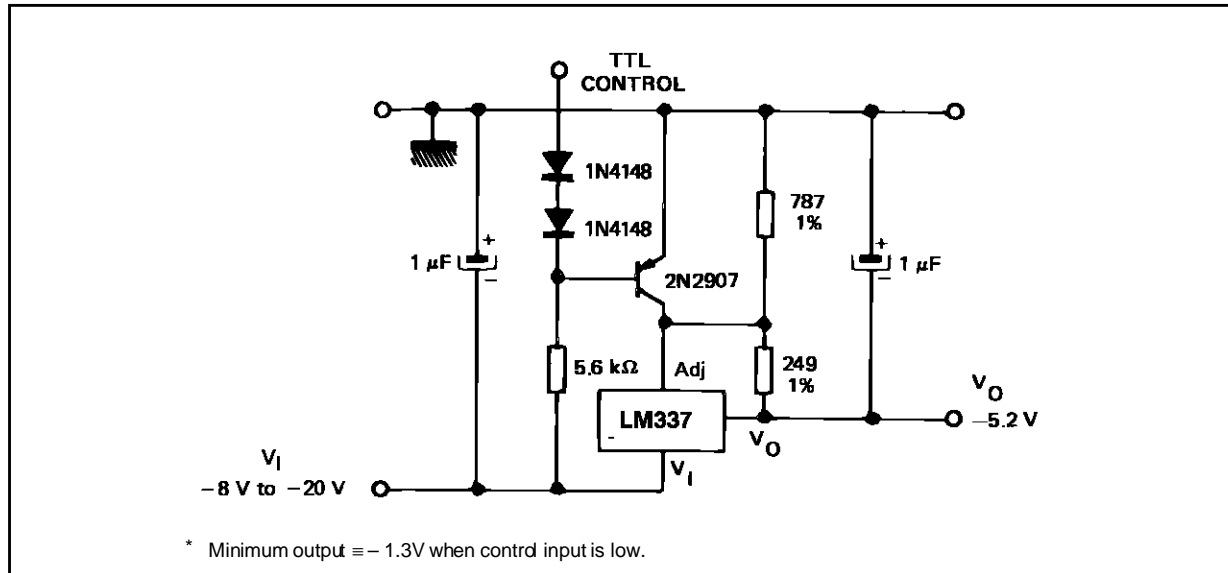
NEGATIVE REGULATOR WITH PROTECTION DIODES



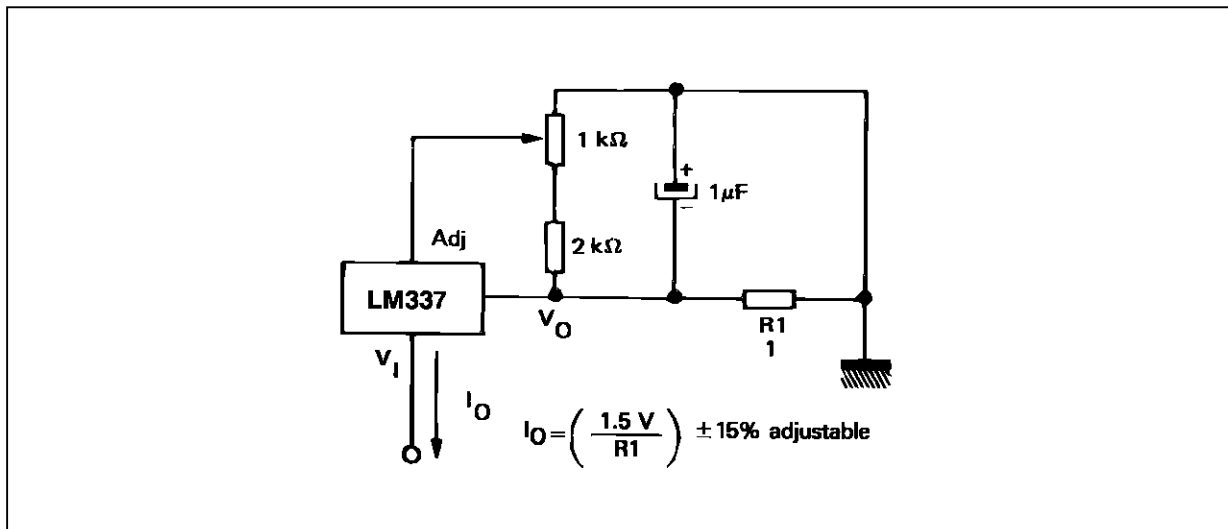
* When C_L is larger than $20\mu\text{F}$, D1 protects the LM137 in case the input supply is shorted.
 * * When C2 is larger than $10\mu\text{F}$ and V_O is larger than -25V , D2 protects the LM137 in case the output is shorted.

LM137-LM237-LM337

* -5.2V REGULATOR WITH ELECTRONIC SHUTDOWN



ADJUSTABLE CURRENT REGULATOR



TO-3 MECHANICAL DATA

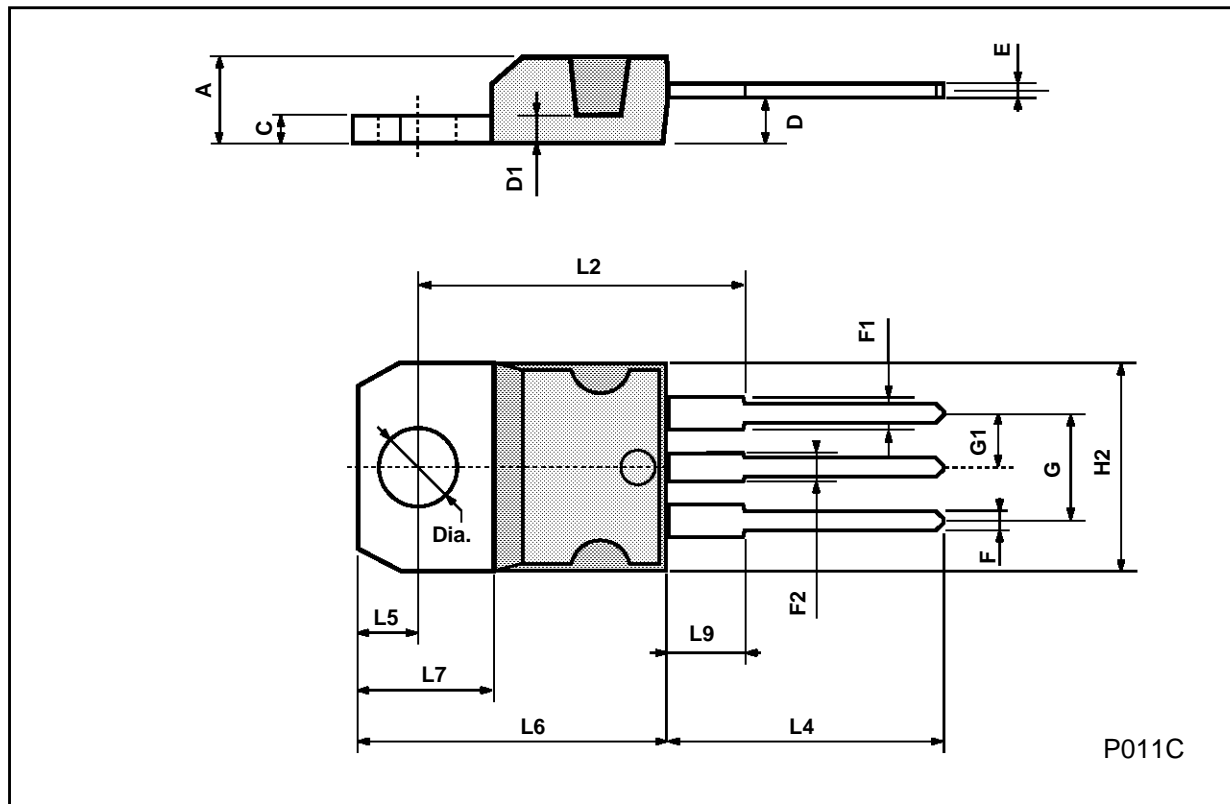
| DIM. | mm | | | inch | | |
|------|-------|------|-------|-------|------|-------|
| | MIN. | TYP. | MAX. | MIN. | TYP. | MAX. |
| A | 11.00 | | 13.10 | 0.433 | | 0.516 |
| B | 0.97 | | 1.15 | 0.038 | | 0.045 |
| C | 1.50 | | 1.65 | 0.059 | | 0.065 |
| D | 8.32 | | 8.92 | 0.327 | | 0.351 |
| E | 19.00 | | 20.00 | 0.748 | | 0.787 |
| G | 10.70 | | 11.10 | 0.421 | | 0.437 |
| N | 16.50 | | 17.20 | 0.649 | | 0.677 |
| P | 25.00 | | 26.00 | 0.984 | | 1.023 |
| R | 4.00 | | 4.09 | 0.157 | | 0.161 |
| U | 38.50 | | 39.30 | 1.515 | | 1.547 |
| V | 30.00 | | 30.30 | 1.187 | | 1.193 |



P003F

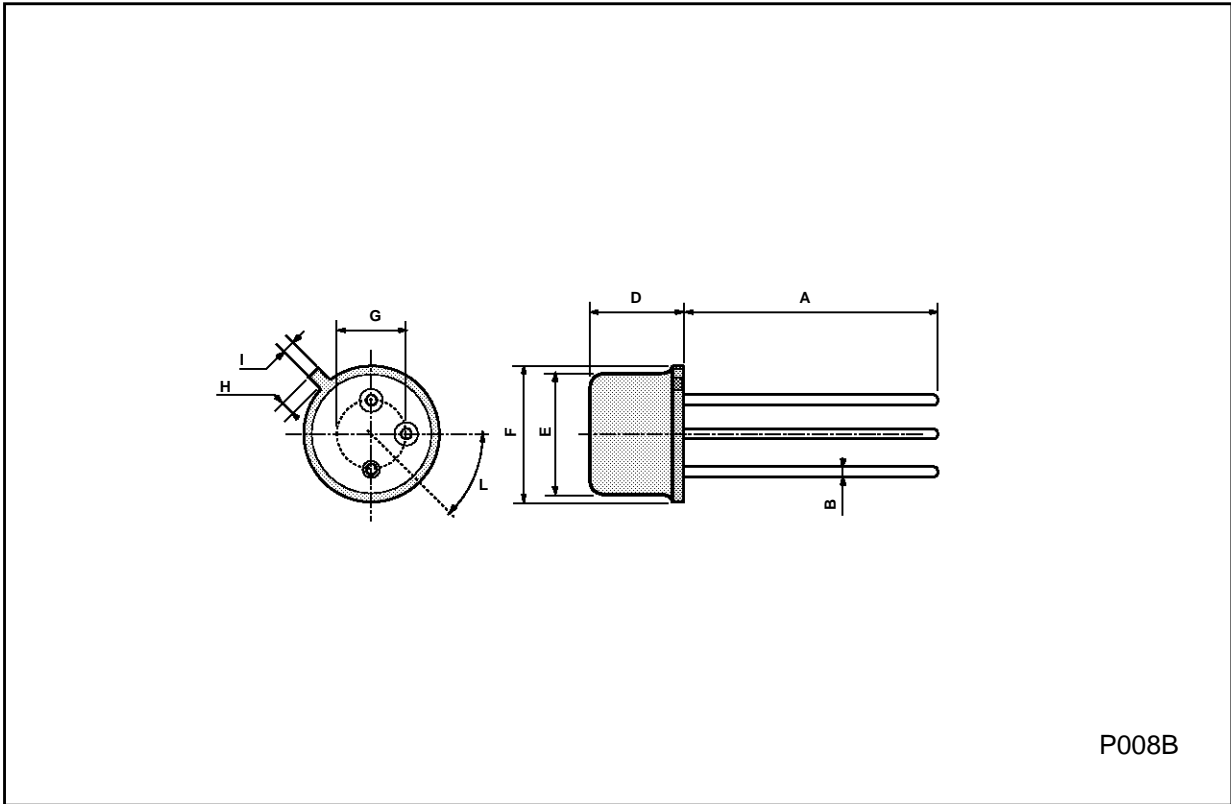
TO-220 MECHANICAL DATA

| DIM. | mm | | | inch | | |
|------|------|------|-------|-------|-------|-------|
| | MIN. | TYP. | MAX. | MIN. | TYP. | MAX. |
| A | 4.40 | | 4.60 | 0.173 | | 0.181 |
| C | 1.23 | | 1.32 | 0.048 | | 0.051 |
| D | 2.40 | | 2.72 | 0.094 | | 0.107 |
| D1 | | 1.27 | | | 0.050 | |
| E | 0.49 | | 0.70 | 0.019 | | 0.027 |
| F | 0.61 | | 0.88 | 0.024 | | 0.034 |
| F1 | 1.14 | | 1.70 | 0.044 | | 0.067 |
| F2 | 1.14 | | 1.70 | 0.044 | | 0.067 |
| G | 4.95 | | 5.15 | 0.194 | | 0.203 |
| G1 | 2.4 | | 2.7 | 0.094 | | 0.106 |
| H2 | 10.0 | | 10.40 | 0.393 | | 0.409 |
| L2 | | 16.4 | | | 0.645 | |
| L4 | 13.0 | | 14.0 | 0.511 | | 0.551 |
| L5 | 2.65 | | 2.95 | 0.104 | | 0.116 |
| L6 | 15.2 | | 15.9 | 0.598 | | 0.625 |
| L7 | 6.2 | | 6.6 | 0.244 | | 0.260 |
| L9 | 3.5 | | 4.2 | 0.137 | | 0.165 |
| DIA. | 3.75 | | 3.85 | 0.147 | | 0.151 |



TO39 MECHANICAL DATA

| DIM. | mm | | | inch | | |
|------|------------|------|------|-------|------|-------|
| | MIN. | TYP. | MAX. | MIN. | TYP. | MAX. |
| A | 12.7 | | | 0.500 | | |
| B | | | 0.49 | | | 0.019 |
| D | | | 6.6 | | | 0.260 |
| E | | | 8.5 | | | 0.334 |
| F | | | 9.4 | | | 0.370 |
| G | 5.08 | | | 0.200 | | |
| H | | | 1.2 | | | 0.047 |
| I | | | 0.9 | | | 0.035 |
| L | 45° (typ.) | | | | | |



P008B

Information furnished is believed to be accurate and reliable. However, SGS-THOMSON Microelectronics assumes no responsibility for the consequences of use of such information nor for any infringement of patents or other rights of third parties which may result from its use. No license is granted by implication or otherwise under any patent or patent rights of SGS-THOMSON Microelectronics. Specifications mentioned in this publication are subject to change without notice. This publication supersedes and replaces all information previously supplied. SGS-THOMSON Microelectronics products are not authorized for use as critical components in life support devices or systems without express written approval of SGS-THOMSON Microelectronics.

© 1994 SGS-THOMSON Microelectronics - All Rights Reserved

SGS-THOMSON Microelectronics GROUP OF COMPANIES

Australia - Brazil - France - Germany - Hong Kong - Italy - Japan - Korea - Malaysia - Malta - Morocco - The Netherlands -
Singapore - Spain - Sweden - Switzerland - Taiwan - Thailand - United Kingdom - U.S.A