

TIL917, TIL917A, TIL917B, TIL917C, TIL918, TIL918A TIL918B, TIL918C, TIL919, TIL919A, TIL919B, TIL919C SINGLE/DUAL/QUAD CHANNEL OPTOCOUPLEDERS/OPTOISOLATORS

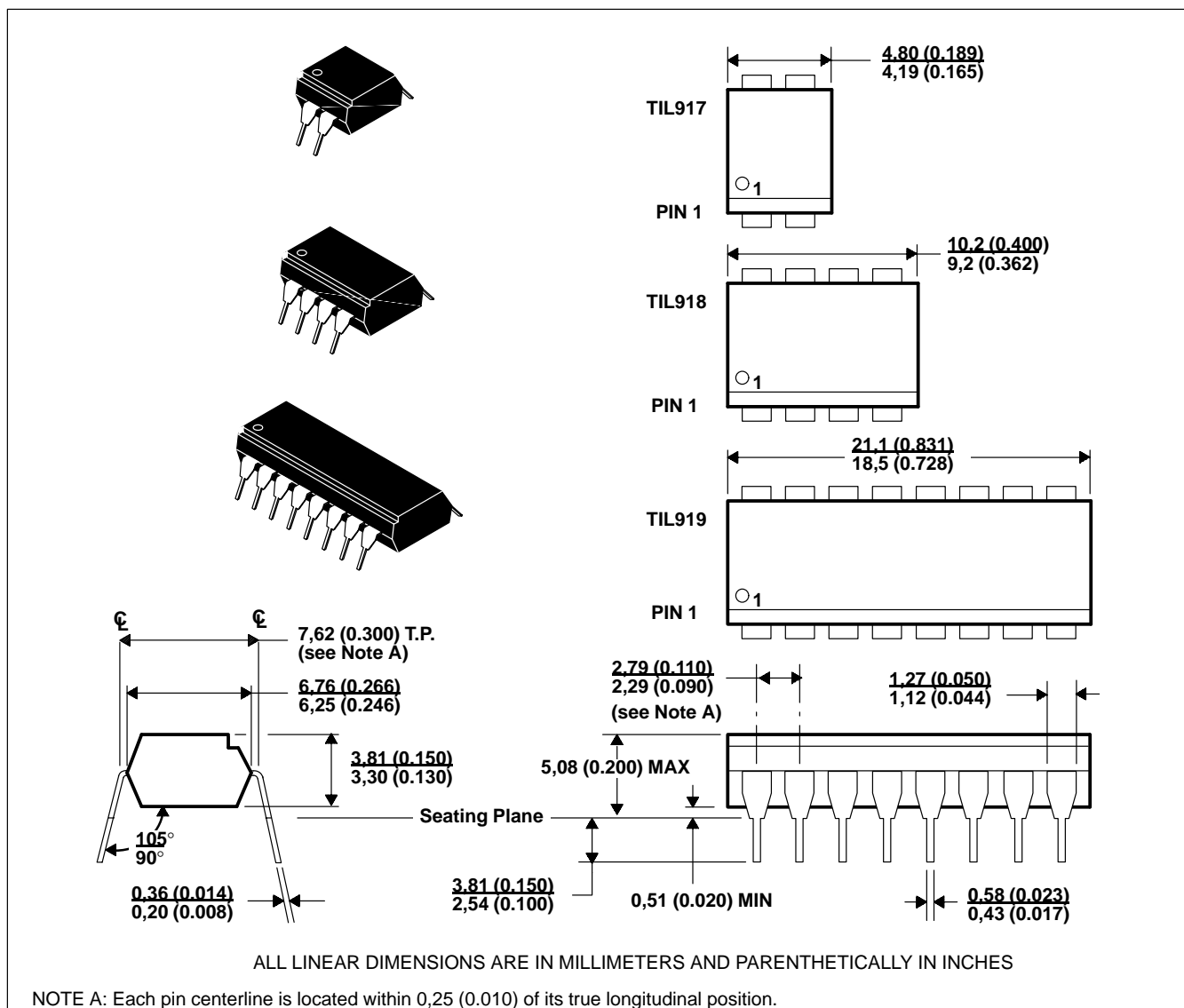
SOOS030 – FEBRUARY 1992

- Gallium-Arsenide Diode Infrared Source
- Source Is Optically Coupled to Silicon N-P-N Darlington Phototransistor
- Choice of One, Two or Four Channels
- Choice of Four Current-Transfer Ratios
- High-Voltage Electrical Isolation . . . 7.5 kV Peak (5.3 kV rms)
- Plastic Dual-In-Line Packages
- UL Listed – File No. E65085

description

These optocouplers consist of a gallium-arsenide light-emitting diode and a silicon n-p-n Darlington phototransistor per channel. The TIL917 has one channel in a 4-pin package, the TIL918 has two channels in an 8-pin package, and the TIL919 has four channels in a 16-pin package. The standard devices, TIL917, TIL918, and TIL919, are tested for a current-transfer ratio of 20% minimum. Devices selected for a current-transfer ratio of 50%, 100%, and 200% minimum are designated with the suffix A, B, and C, respectively.

mechanical data



PRODUCTION DATA information is current as of publication date. Products conform to specifications per the terms of Texas Instruments standard warranty. Production processing does not necessarily include testing of all parameters.



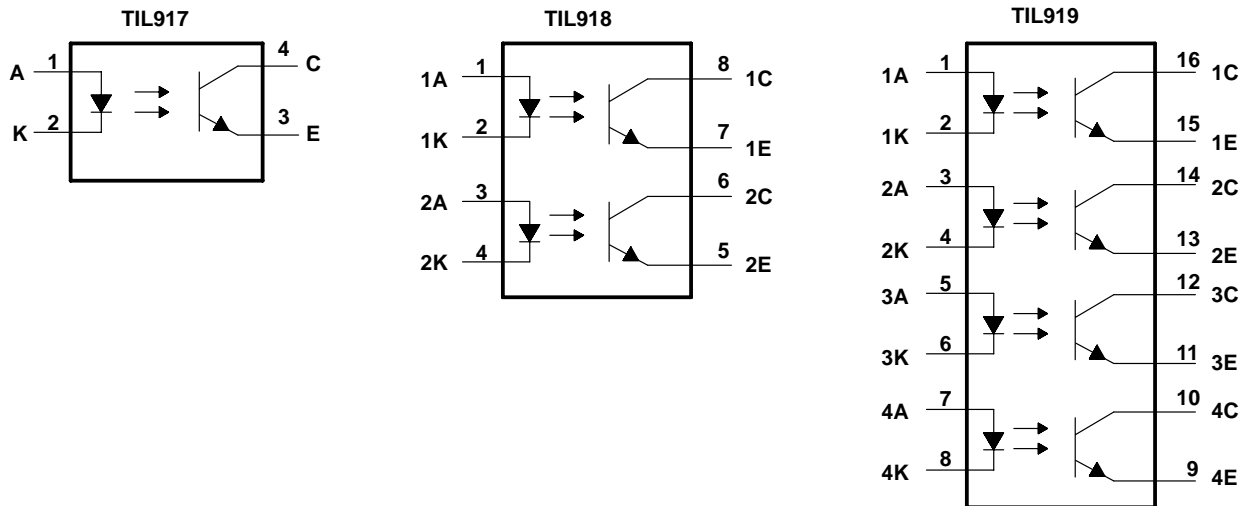
POST OFFICE BOX 655303 • DALLAS, TEXAS 75265

Copyright © 1992, Texas Instruments Incorporated

**TIL917, TIL917A, TIL917B, TIL917C, TIL918, TIL918A
TIL918B, TIL918C, TIL919, TIL919A, TIL919B, TIL919C
SINGLE/DUAL/QUAD CHANNEL OPTOCOUPPLERS/OPTOISOLATORS**

SOOS030 – FEBRUARY 1992

schematic diagrams



absolute maximum ratings, T_A = 25°C (unless otherwise noted)

Input-to-output voltage (see Note 1)	±7.5 kV peak or dc (±5.3 kV rms)
Collector-emitter voltage (see Note 2)	35 V
Emitter-collector voltage	7 V
Input diode reverse voltage	5 V
Input diode continuous forward current at (or below) 25°C free-air temperature (see Note 3)	50 mA
Continuous power dissipation at (or below) 25°C free-air temperature:	
Phototransistor (see Note 4)	150 mW
Input diode plus phototransistor per channel (see Note 5)	200 mW
Operating free-air temperature, T _A	-55°C to 100°C
Storage temperature range	-55°C to 125°C
Lead temperature 1,6 mm (1/16 inch) from case for 10 seconds	260°C

- NOTES: 1. This rating applies for sine-wave operation at 50 or 60 Hz. Service capability is verified by testing in accordance with UL requirements.
2. This value applies when the base-emitter diode is open circuited.
3. Derate linearly to 100°C free-air temperature at the rate of 0.67 mA/°C.
4. Derate linearly to 100°C free-air temperature at the rate of 2 mW/°C.
5. Derate linearly to 100°C free-air temperature at the rate of 2.67 mW/°C.

**TIL917, TIL917A, TIL917B, TIL917C, TIL918, TIL918A
TIL918B, TIL918C, TIL919, TIL919A, TIL919B, TIL919C
SINGLE/DUAL/QUAD CHANNEL OPTOCOUPLEDERS/OPTOISOLATORS**

SOOS030 – FEBRUARY 1992

electrical characteristics, $T_A = 25^\circ\text{C}$ (unless otherwise noted)

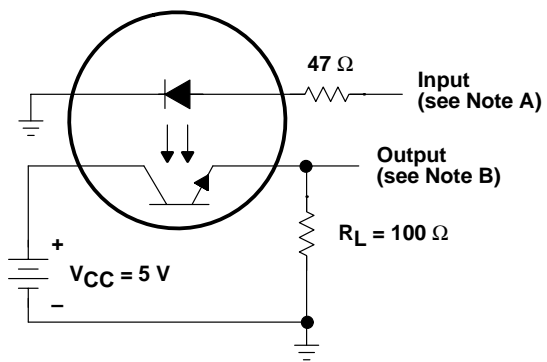
PARAMETER		TEST CONDITIONS	MIN	TYP	MAX	UNIT
$V_{(BR)CEO}$	Collector-emitter breakdown voltage	$I_C = 0.5 \text{ mA}$, $I_F = 0$	35			V
$V_{(BR)ECO}$	Emitter-collector breakdown voltage	$I_C = 100 \mu\text{A}$, $I_F = 0$	7			V
I_R	Input diode static reverse current	$V_R = 5 \text{ V}$			10	μA
$I_{C(off)}$	Off-state collector current	$V_{CE} = 24 \text{ V}$, $I_F = 0$			100	nA
CTR	Current transfer ratio	TIL917, TIL918, TIL919	$I_F = 5 \text{ mA}$, $V_{CE} = 5 \text{ V}$	20%		
		TIL917A, TIL918A, TIL919A		50%		
		TIL917B, TIL918B, TIL919B		100%		
		TIL917C, TIL918C, TIL919C		200%	400%	
V_F	Input diode static forward voltage	$I_F = 20 \text{ mA}$			1.4	V
$V_{CE(sat)}$	Collector-emitter saturation voltage	$I_F = 5 \text{ mA}$, $I_C = 1 \text{ mA}$			0.4	V
C_{iO}	Input-to-output capacitance	$V_{in-out} = 0$, $f = 1 \text{ MHz}$, See Note 6		1		pF
r_{iO}	Input-to-output internal resistance	$V_{in-out} = \pm 1 \text{ kV}$, See Note 6		10^{11}		Ω

NOTE 6. These parameters are measured between all input-diode leads shorted together and all phototransistor leads shorted together.

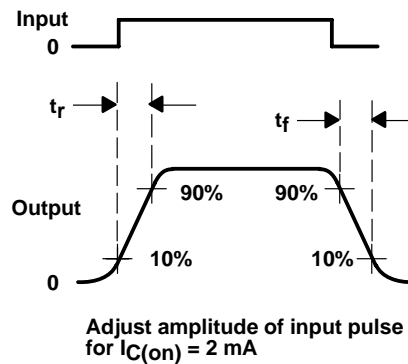
switching characteristics, $T_A = 25^\circ\text{C}$

PARAMETER		TEST CONDITIONS	MIN	TYP	MAX	UNIT
t_r	Rise time	$V_{CC} = 5 \text{ V}$, $I_{C(on)} = 2 \text{ mA}$, $R_L = 100 \Omega$, See Figure 1		6		μs
t_f	Fall time			6		

PARAMETER MEASUREMENT INFORMATION



TEST CIRCUIT



VOLTAGE WAVEFORMS

- NOTES: A. The input waveform is supplied by a generator with the following characteristics: $Z_0 = 50 \Omega$, $t_r \leq 15 \text{ ns}$, duty cycle = 1%, $t_w = 500 \mu\text{s}$.
B. The output waveform is monitored on an oscilloscope with the following characteristics: $t_r \leq 12 \text{ ns}$, $R_{in} \geq 1 \text{ M}\Omega$, $C_{in} \leq 20 \text{ pF}$.

Figure 1. Switching Times

TYPICAL CHARACTERISTICS

FORWARD CURRENT
 vs
 FORWARD VOLTAGE

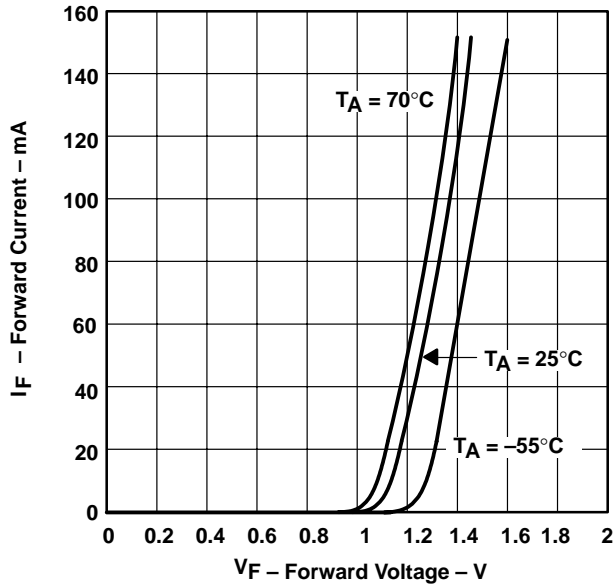


Figure 2

COLLECTOR CURRENT
 vs
 COLLECTOR-EMITTER VOLTAGE

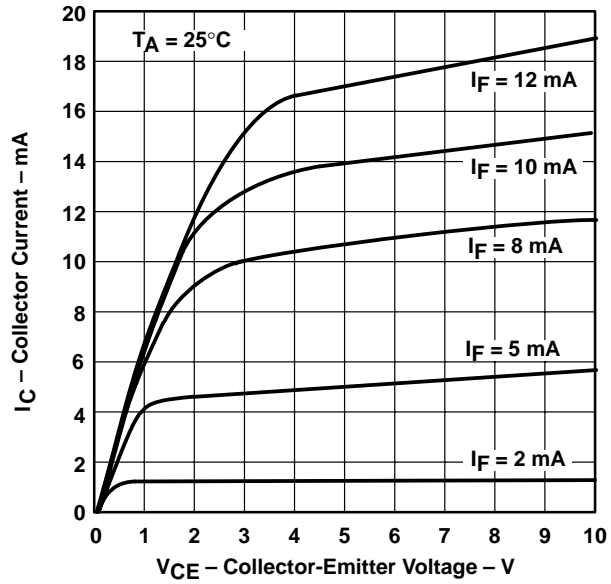


Figure 3

NORMALIZED ON-STATE COLLECTOR CURRENT
 vs
 INPUT-DIODE FORWARD CURRENT

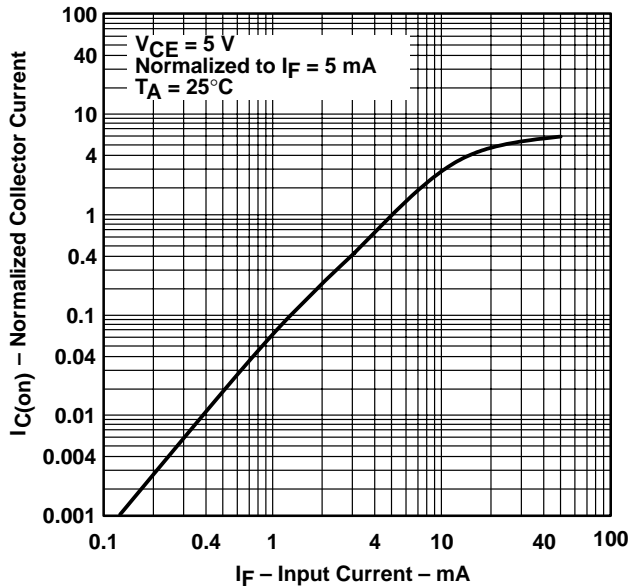


Figure 4

RELATIVE ON-STATE COLLECTOR CURRENT
 vs
 FREE-AIR TEMPERATURE

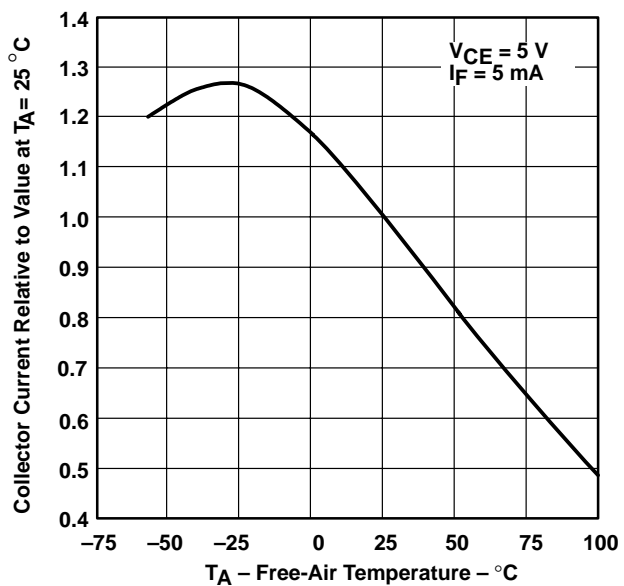


Figure 5

TYPICAL CHARACTERISTICS

TYPICAL COLLECTOR-EMITTER SATURATION VOLTAGE
 vs
 FREE-AIR TEMPERATURE

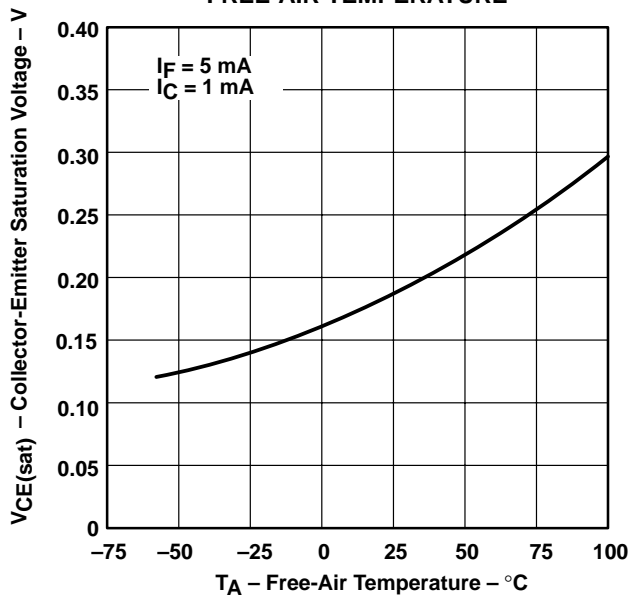


Figure 6

APPLICATION INFORMATION

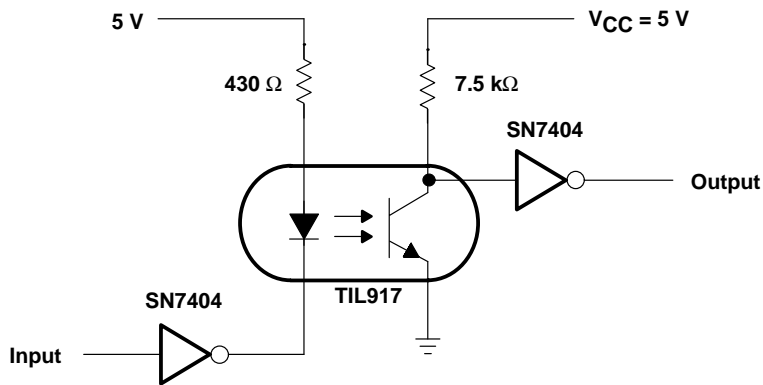


Figure 7. Data Transmission Circuit

IMPORTANT NOTICE

Texas Instruments (TI) reserves the right to make changes to its products or to discontinue any semiconductor product or service without notice, and advises its customers to obtain the latest version of relevant information to verify, before placing orders, that the information being relied on is current.

TI warrants performance of its semiconductor products and related software to the specifications applicable at the time of sale in accordance with TI's standard warranty. Testing and other quality control techniques are utilized to the extent TI deems necessary to support this warranty. Specific testing of all parameters of each device is not necessarily performed, except those mandated by government requirements.

Certain applications using semiconductor products may involve potential risks of death, personal injury, or severe property or environmental damage ("Critical Applications").

TI SEMICONDUCTOR PRODUCTS ARE NOT DESIGNED, INTENDED, AUTHORIZED, OR WARRANTED TO BE SUITABLE FOR USE IN LIFE-SUPPORT APPLICATIONS, DEVICES OR SYSTEMS OR OTHER CRITICAL APPLICATIONS.

Inclusion of TI products in such applications is understood to be fully at the risk of the customer. Use of TI products in such applications requires the written approval of an appropriate TI officer. Questions concerning potential risk applications should be directed to TI through a local SC sales office.

In order to minimize risks associated with the customer's applications, adequate design and operating safeguards should be provided by the customer to minimize inherent or procedural hazards.

TI assumes no liability for applications assistance, customer product design, software performance, or infringement of patents or services described herein. Nor does TI warrant or represent that any license, either express or implied, is granted under any patent right, copyright, mask work right, or other intellectual property right of TI covering or relating to any combination, machine, or process in which such semiconductor products or services might be or are used.