

Capacitive Discharge Magnetic Pulser

This is one way of generating an intense magnetic pulse. A charged capacitor is discharged through a loop shaped inductor and an intense magnetic field is generated. This circuit burns a 555 chip which is placed slightly above the loop shaped inductor (L2). However, it did not work all the time. Perhaps 1 out of 10 tests was successful. You may examine the circuit and perhaps improve it!

When the LED goes off, press S1 to discharge cap onto the loop element.

Good luck!

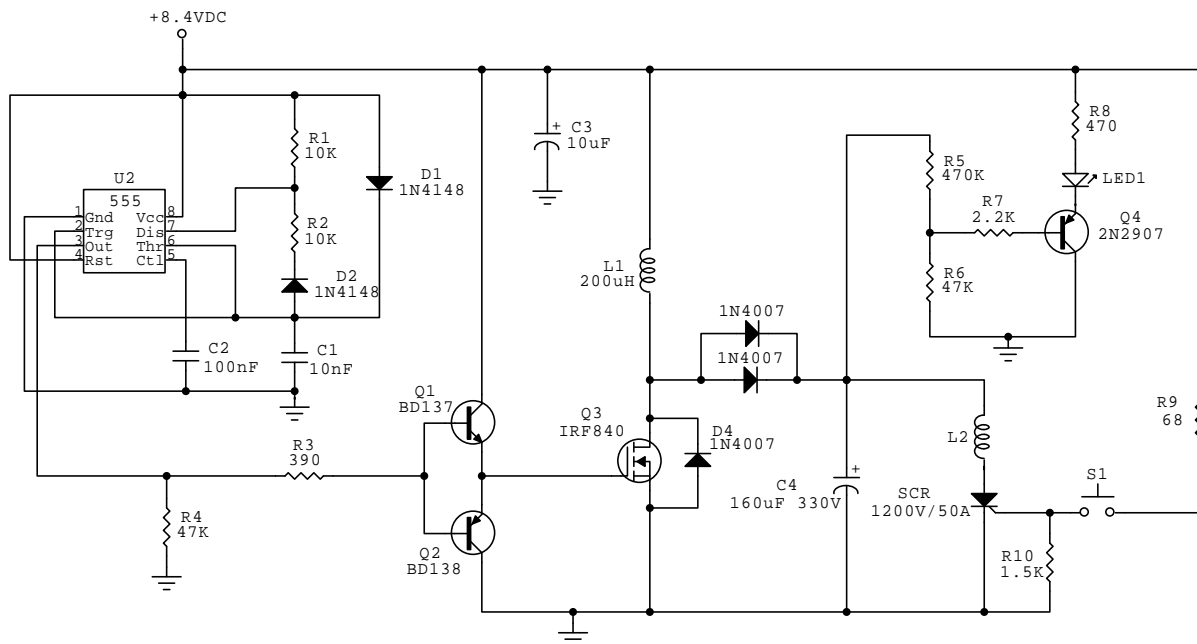


Fig. 1. The circuit.